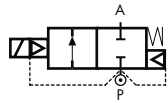


2/2 WAY PILOT OPERATED SOLENOID VALVE, G 1 1/4" ÷ G 2"



normally closed

TYPE: D223/224/225

TECHNICAL SPECIFICATIONS

Media:	water, oil, air
Media temperature:	-10°C ÷ +90°C
Ambient temperature:	-10°C ÷ +50°C
Body material:	brass (CW617N EN 12165)
Operator material:	stainless steel
Operator seal material:	NBR
Seal and diaphragm material:	NBR
Coil power:	AC 18VA (holding) AC 36VA (inrush) DC 14w
Protection class:	IP 65 (with connector)
Speed control screw:	as standard

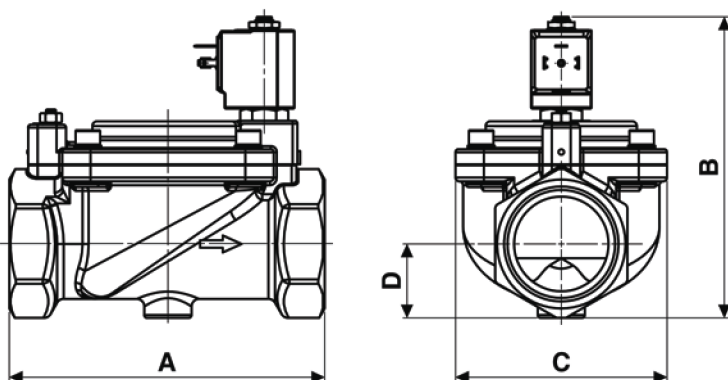
OPTIONS

Normally open (e.g. code RD224DBK) with coils class "H" only
Manual override (e.g. code D223DBKM)
EPDM seal for air and hot water MAX 120°C (e.g. code D223DEK)
FKM seal for air, water, oil MAX 130°C (e.g. code D223DVK)
EEX proof version (please see page 43 for more information)



SELECTION TABLE

VALVE	G connection	nominal diameter	flow rate Kvs	min	OPD		COILS	
					max AC	max DC	code	[Volts/Hz]
code	[ISO 228 G]	[mm]	[l/min]	[barg]	[barg]	[barg]	code	[Volts/Hz]
D223DBK	1 1/4"	40	370	0.5	16	16	7250	24v DC
D224DBK	1 1/2"	40	400	0.5	16	16	7200	24v 50/60Hz
D225DBJ	2"	50	540	0.5	16	16	7400	110v 50Hz - 120v 60Hz
							7600	200v 50Hz - 220v 60Hz
							7700	230v 50Hz - 240v 60Hz



DIMENSIONS & WEIGHTS

G connection	A	B	C	D	weight
[ISO 228 G]	[mm]	[mm]	[mm]	[mm]	[kg]
1 1/4"	140	140	96	31	2.8
1 1/2"	140	140	96	31	2.8
2"	168	158	112	39	3.9